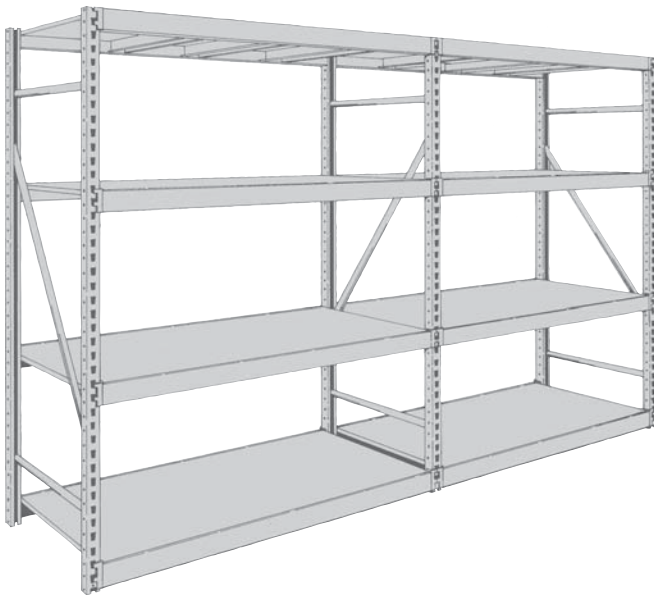
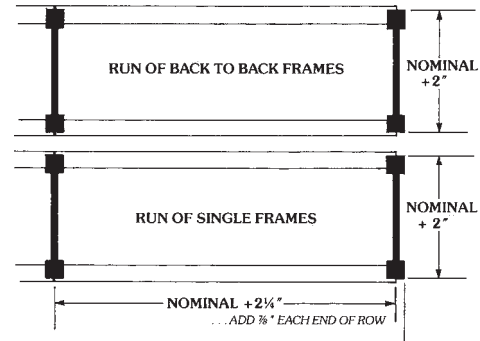


WIDE SPAN SHELVING^D



When bulk or weight eliminates the use of storage shelving, Madix Wide Span is the recommended alternative. Used in virtually every phase of retailing, it also has many commercial and industrial applications. Frames are slotted on 2" centers to accept brackets on horizontal beams...beams are tied together by steel deck supports.

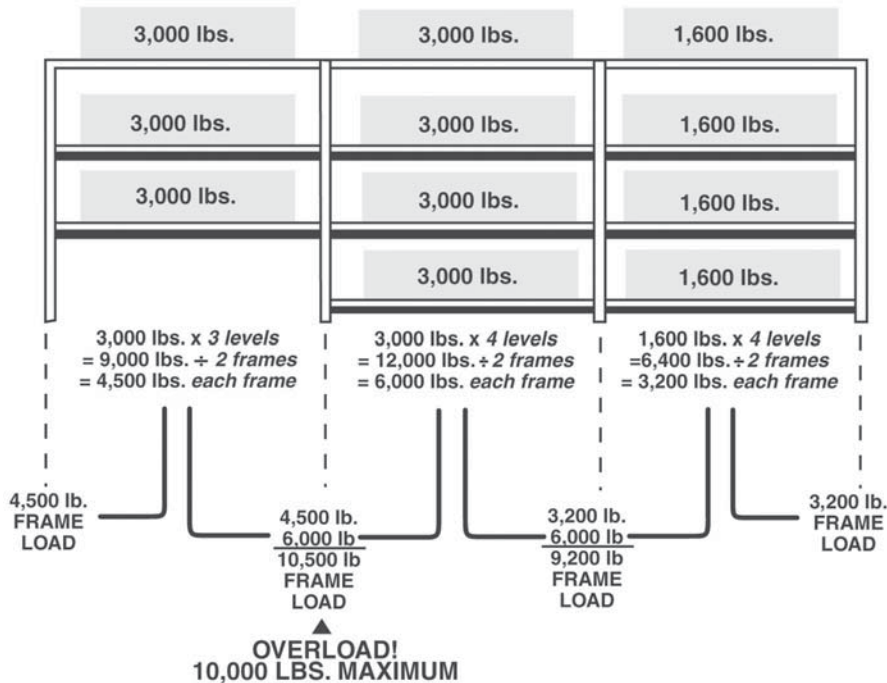
Finished units are extremely rigid, eliminating back and side sway...plus no assembly hardware means rapid installation! Frames, beams and deck supports are fabricated from heavy gauge steel finished in durable Blue Gray or Sahara..decks are economical 5/8" particle board.



WIDE SPAN LOAD CAPACITIES

FRAME LOADING

ALL FRAMES HAVE 10,000 POUND LOAD CAPACITY!



Frame loading is the vertical load, measured in pounds, that can be applied on any frame. Each frame bears ONE HALF OF THE LOAD OF EACH BEAM PAIR that it supports.

BEAM LOADING MAXIMUM LOAD CAPACITY ...PER BEAM PAIR

Beam Length	REGULAR DUTY	HEAVY DUTY	# of Deck Supports
48"	1600 #	3000 #	2
60"	1600 #	3000 #	3
72"	1600 #	3000 #	3
84"	1600 #	3000 #	3
96"	1600 #	3000 #	3

- Based on evenly distributed loads
- Based on 96" beam length, all frame widths

HAND STACK ONLY!
POWERED FORK TRUCKS OR STACKERS
ARE NOT RECOMMENDED FOR USE ON
WIDE SPAN SHELVING.

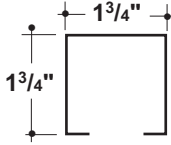


WIDE SPAN FRAMES

WIDE SPAN FRAMES^A

Heavy gauge 1³/₄" square Upright members with welded oval cross braces are slotted 2" OC for adjustability. Heavy-Duty Frame has additional bracing to resist accidental stacker impact. Top beam will fit flush to top of frame. Requires a minimum of two decks, four beams, per section.

LOAD CAPACITY
 10,000 LBS. PER FRAME,
 ...heavy-duty or
 regular duty

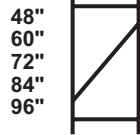


RDWSF(ND)(NH)

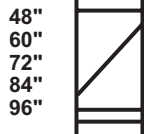
RD.....RD=Regular Duty HD=Heavy-Duty
 WSF.....Wide Span Frame
 ND.....Nominal Frame Depth 18" to 48" in 6" Increments
(45.72 cm to 121.92 cm in 15.24 cm Increments)
 NH.....Nominal Frame Height 48" to 120" in 12" Increments
(121.92 cm to 304.80 cm in 30.48 cm Increments)

Frame Height x Frame Depth	REGULAR DUTY		HEAVY-DUTY	
	Price	Wt.	Price	Wt.
48" x 18"	\$27.85	13.8	\$40.15	13.8
	\$28.20	13.9	\$41.70	14.2
	\$29.30	14.8	\$43.20	14.5
	\$30.50	15.8	\$44.65	14.9
	\$30.85	15.2	\$46.40	15.2
48" x 24"	\$32.00	17.3	\$47.85	15.6
	\$30.75	16.9	\$44.25	16.9
	\$32.30	17.2	\$44.30	17.2
	\$33.00	17.6	\$45.80	19.0
60" x 36"	\$34.45	18.6	\$47.45	19.3
	\$34.75	18.2	\$48.95	18.2
	\$36.15	18.6	\$50.60	18.6
	\$32.95	19.8	\$46.10	19.8
72" x 24"	\$33.25	20.1	\$47.30	20.1
	\$36.20	21.4	\$48.60	20.5
	\$37.60	21.9	\$50.05	20.8
	\$38.60	21.1	\$51.75	21.1
84" x 48"	\$39.15	21.5	\$53.30	21.5
	\$40.45	20.9	\$49.95	24.3
	\$41.15	22.9	\$51.00	24.9
	\$44.70	22.4	\$53.90	24.1
84" x 36"	\$44.75	23.4	\$56.05	25.0
	\$46.85	26.6	\$58.85	26.3
	\$47.30	25.3	\$60.75	27.2
	\$44.00	27.1	\$52.90	27.1
96" x 24"	\$44.85	25.4	\$54.35	26.2
	\$50.10	26.3	\$58.20	28.2
	\$50.95	26.4	\$60.55	27.9
	\$51.20	27.8	\$62.25	29.4
108" x 48"	\$51.65	30.0	\$64.05	30.3
	\$54.80	29.9	\$62.40	29.9
	\$55.95	30.5	\$63.50	30.5
	\$58.60	31.0	\$65.05	31.0
108" x 36"	\$60.70	31.6	\$68.75	31.6
	\$62.90	32.2	\$71.05	32.2
	\$64.65	32.8	\$73.50	32.8
	\$58.15	32.7	\$64.85	32.7
120" x 24"	\$58.95	33.3	\$66.55	33.3
	\$62.90	34.6	\$69.10	33.8
	\$66.10	35.5	\$72.80	34.4
	\$67.85	36.6	\$76.65	35.0
48"	\$69.65	35.6	\$79.00	35.6

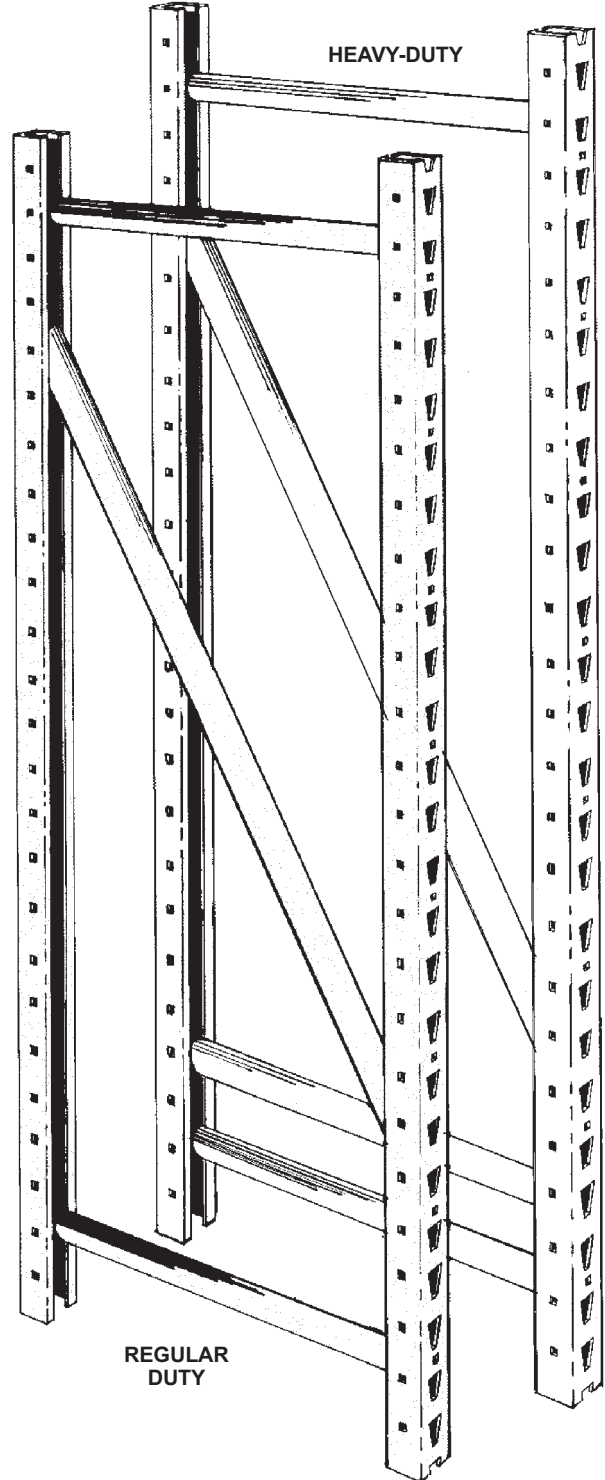
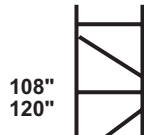
REGULAR DUTY



HEAVY-DUTY



REGULAR DUTY

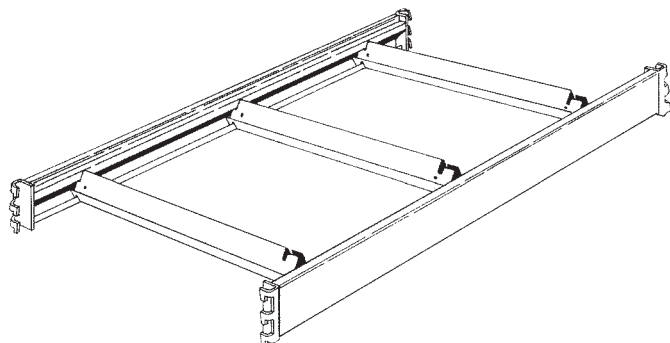


• Standard colors...Sahara or Blue Gray.
 • Optional color...add \$3.00 each frame.

WIDE SPAN BEAMS

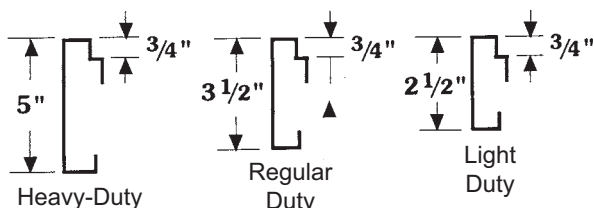
WIDE SPAN BEAMS^A

Heavy gauge beam body with integral connectors fits snugly into Upright slots and maintains deck alignment with basic fixture slotting. One beam pair is required per deck. Image shows two Wide Span Beams and three Wide Span Deck Supprts. Wide Span Decks are ordered separately.



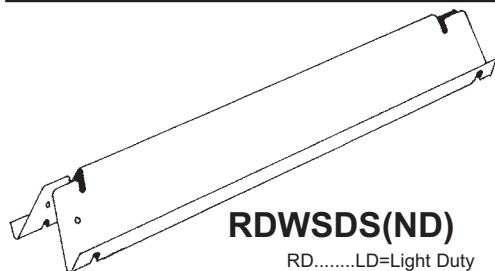
RDWSFB(NL)

RD.....LD=Light Duty RD=Regular Duty HD=Heavy-Duty
 WSFB.....Wide Span Front Beam
 NL.....Nominal Length 48" to 96" in 12" Increments
(121.92 cm to 243.84 cm in 30.48 cm Increments)



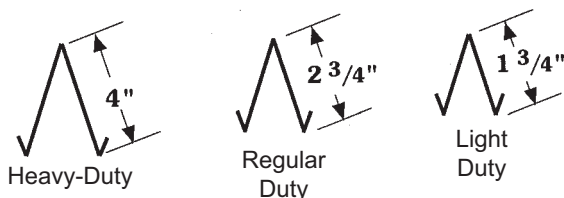
	Beam Length		Wt.		Maximum capacity in lbs./pr. *
	48"	60"	84"	96"	
LIGHT DUTY 1000 lbs.	48"	\$14.05	6.7	1,000	1,000
	60"	\$15.40	7.4	1,000	1,000
	72"	\$16.70	8.8	1,000	1,000
	84"	\$18.20	10.2	1,000	1,000
	96"	\$20.15	11.6	1,000	1,000
REGULAR DUTY 1600 lbs.	48"	\$14.60	6.0	1,600	1,600
	60"	\$16.05	7.7	1,600	1,600
	72"	\$17.50	9.3	1,600	1,600
	84"	\$19.10	11.0	1,600	1,600
	96"	\$21.15	12.1	1,600	1,600
HEAVY-DUTY 3000 lbs.	48"	\$18.20	7.5	3,000	3,000
	60"	\$22.70	11.8	3,000	3,000
	72"	\$23.90	14.0	3,000	3,000
	84"	\$28.00	17.2	3,000	3,000
	96"	\$29.40	14.3	3,000	3,000

* Optional color ...add \$1.50 per beam.
 * Based on evenly distributed loads, 96" beam lengths, all frame depths.



RDWSDS(ND)

RD.....LD=Light Duty RD=Regular Duty HD=Heavy-Duty
 WSDS.....Wide Span Deck Support
 ND.....Nominal Depth 18" to 48" in 6" Increments
(45.75 cm to 121.92 cm in 15.24 cm Increments)

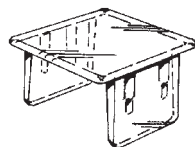


WIDE SPAN DECK SUPPORT^A

Formed steel component easily rotates into place, ties beams together and supports the deck.

Frame Depth	LIGHT DUTY		REGULAR DUTY		HEAVY-DUTY	
		Wt.		Wt.		Wt.
18"	\$3.00	1.5	\$3.20	1.2	\$7.40	2.7
24"	\$3.60	2.0	\$3.80	1.6	\$8.20	3.6
30"	\$3.75	2.5	\$3.95	2.0	\$8.60	4.5
36"	\$4.50	3.0	\$4.90	2.3	\$9.50	5.2
42"	\$4.75	3.5	\$5.15	4.0	\$10.30	5.9
48"	\$5.45	4.0	\$5.85	3.1	\$11.05	6.9
DECK SUPPORTS PER BEAM LENGTH						
Beam Length	48"		2			
	60" to 96"		3			

* Optional color ...add \$.75 each.



Clear plastic cap inserts into top of Upright. Allows beam to be mounted in top slot of Upright.

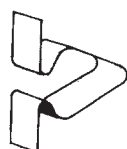
WIDE SPAN TOP CAP^A

WSTC-(PACK)-CL

WSTC.....Wide Span Top Cap
 PACK.....4= 4 Pack 48= 48 Pack
 CL.....Clear Plastic

		Pack	Wt.
WSTC-4-CL	\$2.00	4	0.1
WSTC-48-CL	\$23.00	48	1.2

* Clear Plastic



Spring steel clip secures Beam to Frame to prevent accidental disengagement. Two required for each beam.

WIDE SPAN DART CLIP^A

WSDC-50

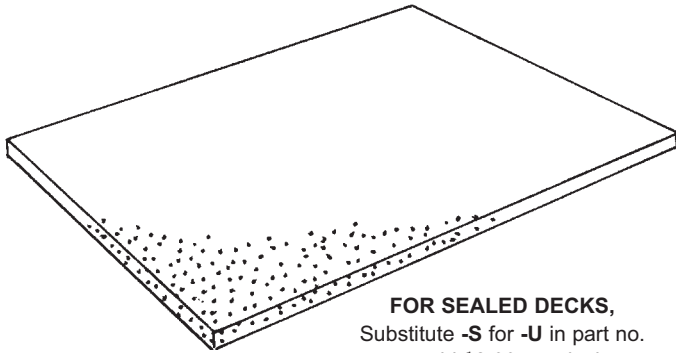
WSDC.....Wide Span Dart Clip
 50.....50= 50 Pack

		Pack	Wt.
WSDC-50	\$10.80	50	0.2

* Dart Clips are only available in black.

WIDE SPAN DECKS^A

Regular Duty Decks are durable 5/8" particle board. Heavy-Duty Decks are 5/8", 45 lb. density particle board for increased load capacity. Sealed decks have a baked on polymer wax finish. All dimensions listed below are actual dimensions of deck.



FOR SEALED DECKS,
Substitute **-S** for **-U** in part no.
...add \$2.00 per deck

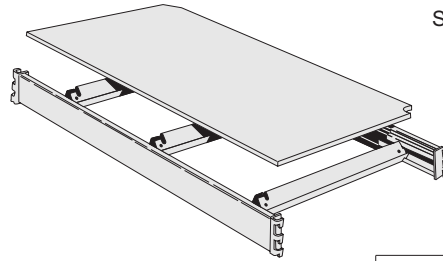
RDWSD(ND)(NL)-U

RD.....RD=Regular Duty HD=Heavy-Duty
WSD.....Wide Span Deck
ND.....Nominal Frame Depth 18" to 48" in 6" Increments
.....(45.75 cm to 121.92 cm in 15.24 cm Increments)
NL.....Nominal Frame Length 48" to 96" in 12" Increments
.....(121.92 cm to 243.84 cm in 30.48 cm Increments)
U.....U=Unsealed S=Sealed

Frame Depth	Beam Length	REGULAR DUTY		HEAVY-DUTY	
		Wt.	Wt.	Wt.	Wt.
18"	x 48"	\$10.05	15.0	\$12.55	16.0
	x 60"	\$15.20	18.7	\$17.75	20.0
	x 72"	\$15.20	22.5	\$17.75	24.0
	x 84"	\$15.20	26.3	\$17.75	28.0
	x 96"	\$15.20	30.0	\$17.75	32.0
24"	x 48"	\$15.20	20.0	\$17.75	21.4
	x 60"	\$15.20	25.0	\$17.75	26.8
	x 72"	\$15.20	30.0	\$17.75	32.0
	x 84"	\$17.15	35.0	\$19.65	37.0
	x 96"	\$18.85	40.0	\$21.40	42.8
30"	x 48"	\$15.20	25.0	\$17.75	26.8
	x 60"	\$23.45	31.2	\$26.00	33.5
	x 72"	\$23.45	37.5	\$26.00	40.2
	x 84"	\$23.45	43.7	\$26.00	46.9
	x 96"	\$23.45	50.0	\$26.00	53.6
36"	x 48"	\$15.20	30.0	\$17.75	32.2
	x 60"	\$23.45	37.5	\$26.00	40.2
	x 72"	\$25.25	45.0	\$27.75	48.2
	x 84"	\$25.25	52.5	\$27.75	56.3
	x 96"	\$25.25	60.0	\$27.75	64.3
42"	x 48"	\$18.85	35.0	\$21.40	37.5
	x 60"	\$23.45	43.7	\$26.00	46.9
	x 72"	\$25.25	52.5	\$27.75	56.2
	x 84"	\$28.95	61.2	\$31.45	65.6
	x 96"	\$28.95	70.0	\$31.45	75.0
48"	x 48"	\$18.85	40.0	\$21.40	42.8
	x 60"	\$25.25	50.0	\$27.75	53.6
	x 72"	\$28.95	60.0	\$31.45	64.3
	x 84"	\$28.95	70.0	\$31.45	75.0
	x 96"	\$28.95	80.0	\$31.45	85.7

WIDE SPAN DECK KITS^A

Convenient, accurate ordering is assured with Wide Span Deck Kits. Each Deck Kit includes two Beams, correct number of Deck Supports, plus one Deck for ease of ordering. One kit required per level of shelving. *Dart Clips for Beam locking are not included.* Four Wide Span Dart Clips (WSDC-50) are required per kit.



FOR SEALED DECKS,
Substitute **-S** for **-U** in part no.
...add \$2.00 per deck

MAXIMUM LOAD CAPACITY
...per beam pair

ALL BEAM LENGTHS	
LIGHT DUTY	1000#
REGULAR DUTY	1600#
HEAVY-DUTY	3000#

* Based on evenly distributed loads, 96" length beam, all frame widths.

RDWSK(ND)(NL)-U

RD.....LD=Light Duty RD=Regular Duty HD=Heavy-Duty
WSK.....Wide Span Deck Kit
ND.....Nominal Frame Depth 18" to 48" in 6" Increments
.....(45.75 cm to 121.92 cm in 15.24 cm Increments)
NL.....Nominal Frame Length 48" to 96" in 12" Increments
.....(121.92 cm to 243.84 cm in 30.48 cm Increments)
U.....U=Unsealed S=Sealed

Frame Depth	Beam Length	LIGHT DUTY		REGULAR DUTY		HEAVY-DUTY		Qty. of deck supports
		Wt.	Wt.	Wt.	Wt.	Wt.	Wt.	
18"	x 48"	\$44.15	31.4	\$45.65	31.4	\$63.75	41.8	2
	x 60"	\$55.00	38.0	\$56.90	39.8	\$85.35	53.5	3
	x 72"	\$57.60	44.6	\$59.80	46.6	\$87.75	61.9	3
	x 84"	\$60.60	51.2	\$63.00	53.4	\$95.95	72.3	3
	x 96"	\$64.50	57.7	\$67.10	60.1	\$98.75	78.7	3
24"	x 48"	\$50.50	37.4	\$52.00	37.6	\$70.55	49.2	2
	x 60"	\$56.80	45.8	\$58.70	47.9	\$87.75	63.3	3
	x 72"	\$59.40	53.6	\$61.60	55.9	\$90.15	72.9	3
	x 84"	\$64.35	61.4	\$66.75	63.9	\$100.25	84.3	3
	x 96"	\$69.95	69.2	\$72.55	71.9	\$104.80	92.5	3
30"	x 48"	\$50.80	43.4	\$52.30	43.6	\$71.35	56.6	2
	x 60"	\$65.50	53.5	\$67.40	55.6	\$97.20	73.0	3
	x 72"	\$68.10	62.6	\$70.30	64.9	\$99.60	84.1	3
	x 84"	\$71.10	71.6	\$73.50	74.1	\$107.80	97.2	3
	x 96"	\$75.00	80.7	\$77.60	83.4	\$110.60	106.3	3
36"	x 48"	\$52.30	49.4	\$54.20	49.8	\$73.15	64.0	2
	x 60"	\$67.75	61.3	\$70.25	63.7	\$99.90	82.7	3
	x 72"	\$72.15	71.6	\$74.95	74.2	\$104.05	95.1	3
	x 84"	\$75.15	81.9	\$78.15	84.7	\$112.25	109.6	3
	x 96"	\$79.05	92.2	\$82.25	95.2	\$115.05	120.0	3
42"	x 48"	\$56.45	55.4	\$58.35	56.0	\$78.40	71.3	2
	x 60"	\$68.50	69.0	\$71.00	71.7	\$102.30	92.4	3
	x 72"	\$72.90	80.6	\$75.70	83.5	\$106.45	106.1	3
	x 84"	\$79.60	92.1	\$82.60	95.2	\$118.35	121.9	3
	x 96"	\$83.50	103.7	\$86.70	107.0	\$121.15	133.7	3
48"	x 48"	\$57.85	61.4	\$59.75	62.0	\$79.90	78.6	2
	x 60"	\$72.40	76.8	\$74.90	79.5	\$106.30	102.1	3
	x 72"	\$78.70	89.6	\$81.50	92.5	\$112.40	117.2	3
	x 84"	\$81.70	103.0	\$84.70	105.5	\$120.60	134.3	3
	x 96"	\$85.60	115.2	\$88.80	118.5	\$123.40	147.4	3

* Optional color beams and deck supports...48" length kit...add \$4.50 each, all other sizes, add \$5.25 each kit.

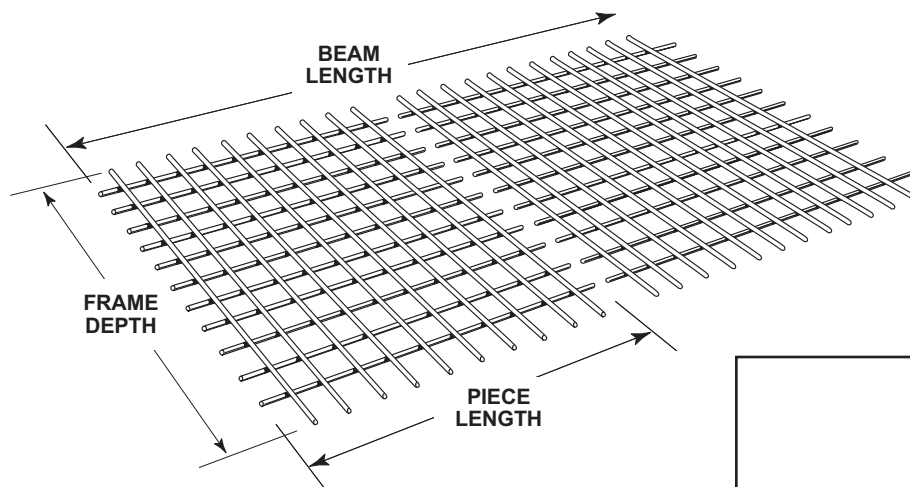
WIDE SPAN WIRE GRID DECKS^B

Wire Grid Decks are pieced for ease of handling. Sturdy $\frac{5}{16}$ " diameter gauge wire is welded on 3" grid centers to form decking for Madix Wide Span. Standard finishes for Wire Grid Decks are Silver Vein-PC031, Sahara-SA, and Blue Gray-BG.

• WIRE GRID PIECE LENGTH RUNS PARALLEL TO BEAM LENGTH

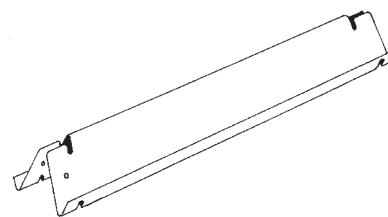
	NOMINAL BEAM LENGTH	...combine these PIECE LENGTHS to equal beam length	QUANTITY OF DECK SUPPORTS	DECK SUPPORTS ARE NOT INCLUDED! <i>...Order two deck supports per piece.</i>
ONE PIECE DECKS	36"	36"	2	
	48"	48"	2	
TWO PIECE DECKS	60"	24" plus 36"	4	
	72"	36" plus 36"	4	
	84"	36" plus 48"	4	
	96"	48" plus 48"	4	

The suggested finish is Silver Vein, a black/silver combination coating which is highly resistant to abrasion, retaining original appearance despite hard usage.



WIDE SPAN DECK SUPPORT^A

Formed steel component easily rotates into place, ties beams together and supports the deck.

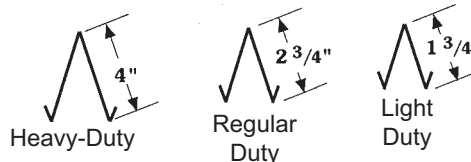


WSWMS(ND)(NL)-3

- WS.....Wide Span
- WMS.....Wire Grid Deck
- ND.....Nominal Frame Depth 18" to 48" in 6" Increments
.....(45.75 cm to 121.92 cm in 15.24 cm Increments)
- NL.....Nominal Piece Length 24", 36", 48"
.....(60.96 cm, 91.44 cm, 121.92 cm)
- 3.....Grid Size 3" OC (7.62 cm)

Frame Depth	Piece Length	List	Wt.	Actual Frame Depth x Piece Length
18"	24"	\$23.65	5.8	17 ³ / ₄ " x 23 ³ / ₄ "
	36"	\$28.15	8.7	17 ³ / ₄ " x 35 ³ / ₄ "
	48"	\$30.05	11.6	17 ³ / ₄ " x 47 ³ / ₄ "
24"	24"	\$25.90	7.7	23 ³ / ₄ " x 23 ³ / ₄ "
	36"	\$30.05	11.6	23 ³ / ₄ " x 35 ³ / ₄ "
	48"	\$34.15	15.5	23 ³ / ₄ " x 47 ³ / ₄ "
30"	24"	\$27.75	9.7	29 ³ / ₄ " x 23 ³ / ₄ "
	36"	\$32.70	14.5	29 ³ / ₄ " x 35 ³ / ₄ "
	48"	\$37.65	19.4	29 ³ / ₄ " x 47 ³ / ₄ "
36"	24"	\$30.05	11.6	35 ³ / ₄ " x 23 ³ / ₄ "
	36"	\$35.90	17.4	35 ³ / ₄ " x 35 ³ / ₄ "
	48"	\$41.75	23.2	35 ³ / ₄ " x 47 ³ / ₄ "
42"	24"	\$32.25	13.5	41 ³ / ₄ " x 23 ³ / ₄ "
	36"	\$39.10	20.3	41 ³ / ₄ " x 35 ³ / ₄ "
	48"	\$45.90	27.1	41 ³ / ₄ " x 47 ³ / ₄ "
48"	24"	\$34.15	15.5	47 ³ / ₄ " x 23 ³ / ₄ "
	36"	\$41.75	23.2	47 ³ / ₄ " x 35 ³ / ₄ "
	48"	\$49.35	31.0	47 ³ / ₄ " x 47 ³ / ₄ "

• Optional color...add \$1.50 each piece.



RDWSDS(ND)

- RD.....LD=Light Duty RD=Regular Duty HD=Heavy-Duty
- WSDS.....Wide Span Deck Support
- ND.....Nominal Frame Depth 18" to 48" in 6" Increments
.....(45.75 cm to 121.92 cm in 15.24 cm Increments)

Frame Depth	LIGHT DUTY		REGULAR DUTY		HEAVY-DUTY	
		Wt.		Wt.		Wt.
18"	\$3.00	1.5	\$3.20	1.7	\$7.40	3.3
24"	\$3.60	2.0	\$3.80	2.3	\$8.20	4.3
30"	\$3.75	2.5	\$3.95	2.8	\$8.60	5.3
36"	\$4.50	3.0	\$4.90	3.4	\$9.50	6.3
42"	\$4.75	3.5	\$5.15	4.0	\$10.30	7.3
48"	\$5.45	4.0	\$5.85	4.5	\$11.05	8.3
DECK SUPPORTS PER BEAM LENGTH						
Beam Length	48"		2			
	60" to 96"		3			

• Optional color ...add \$.75 each.

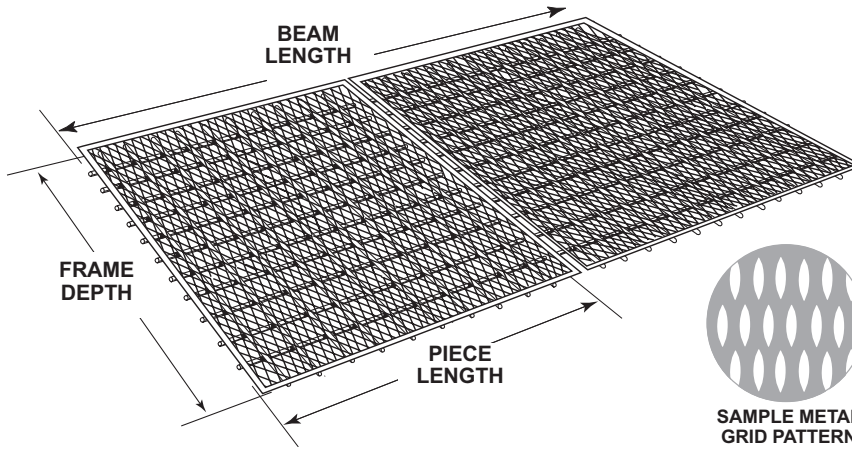
"FLOW THROUGH" WIDE SPAN DECKS^B

Flow Through Wide Span decks are pieced for ease of handling. Sturdy $\frac{5}{16}$ " diameter gauge wire is welded on 3" grid centers to form decking for Madix Wide Span. Standard finishes for Wire Grid Decks are Silver Vein-PC031, Sahara-SA, and Blue Gray-BG.

• FLOW THROUGH GRID PIECE LENGTH RUNS PARALLEL TO BEAM LENGTH

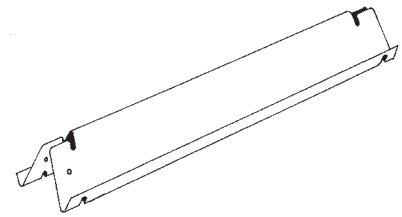
	NOMINAL BEAM LENGTH	...combine these PIECE LENGTHS to equal beam length	QUANTITY OF DECK SUPPORTS	DECK SUPPORTS ARE NOT INCLUDED! ...Order two deck supports per piece...
ONE PIECE DECKS	36"	36"	2	
	48"	48"	2	
TWO PIECE DECKS	60"	24" plus 36"	4	
	72"	36" plus 36"	4	
	84"	36" plus 48"	4	
	96"	48" plus 48"	4	

The suggested finish is Silver Vein, a black/silver combination coating which is highly resistant to abrasion, retaining original appearance despite hard usage



WIDE SPAN DECK SUPPORT^A

Formed steel component easily rotates into place, ties beams together and supports the deck.

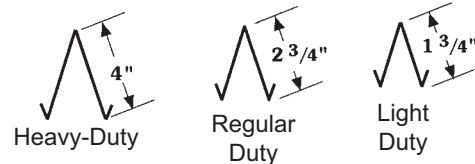


FTWSD-(ND)(NL)

FT.....Flow Through
 WSD.....Wide Span Deck
 ND.....Nominal Frame Depth 18" to 48" in 6" Increments
(45.75 cm to 121.92 cm in 15.24 cm Increments)
 NL.....Nominal Piece Length 24", 36", 48"
(60.96 cm, 91.44 cm, 121.92 cm)

Frame Depth	Piece Length	List	Wt.	Actual Frame Depth x Piece Length
18"	24"	\$128.95	8.1	17 ³ / ₄ " x 23 ³ / ₄ "
	36"	\$132.30	12.2	17 ³ / ₄ " x 35 ³ / ₄ "
	48"	\$133.55	16.2	17 ³ / ₄ " x 47 ³ / ₄ "
24"	24"	\$131.55	10.8	23 ³ / ₄ " x 23 ³ / ₄ "
	36"	\$135.30	16.2	23 ³ / ₄ " x 35 ³ / ₄ "
30"	24"	\$139.40	21.6	23 ³ / ₄ " x 47 ³ / ₄ "
	36"	\$134.35	13.5	29 ³ / ₄ " x 23 ³ / ₄ "
	48"	\$138.45	20.3	29 ³ / ₄ " x 35 ³ / ₄ "
36"	24"	\$174.40	27.0	29 ³ / ₄ " x 47 ³ / ₄ "
	36"	\$136.55	16.2	35 ³ / ₄ " x 23 ³ / ₄ "
	48"	\$176.75	24.3	35 ³ / ₄ " x 35 ³ / ₄ "
42"	24"	\$209.20	32.0	35 ³ / ₄ " x 47 ³ / ₄ "
	24"	\$143.10	18.9	41 ³ / ₄ " x 23 ³ / ₄ "
	36"	\$176.75	28.4	41 ³ / ₄ " x 35 ³ / ₄ "
48"	24"	\$214.55	37.8	41 ³ / ₄ " x 47 ³ / ₄ "
	24"	\$143.10	21.6	47 ³ / ₄ " x 23 ³ / ₄ "
	36"	\$209.20	32.0	47 ³ / ₄ " x 35 ³ / ₄ "
	48"	\$217.00	43.2	47 ³ / ₄ " x 47 ³ / ₄ "

4.6 • Optional color...add \$1.50 each piece.



RDWSDS(ND)

RD.....Light Duty=LD Regular Duty=RD
Heavy-Duty=HD
 WSDS.....Wire Span Deck Support
 ND.....Nominal Frame Depth
18" to 48" in 6" Increments
(45.72 cm to 121.92 cm in 15.24 cm Increments)

Frame Depth	LIGHT DUTY		REGULAR DUTY		HEAVY-DUTY	
	Wt.	Wt.	Wt.	Wt.	Wt.	Wt.
18"	\$3.00	1.5	\$3.20	1.7	\$7.40	3.3
24"	\$3.60	2.0	\$3.80	2.3	\$8.20	4.3
30"	\$3.75	2.5	\$3.95	2.8	\$8.60	5.3
36"	\$4.50	3.0	\$4.90	3.4	\$9.50	6.3
42"	\$4.75	3.5	\$5.15	4.0	\$10.30	7.3
48"	\$5.45	4.0	\$5.85	4.5	\$11.05	8.3

DECK SUPPORTS PER BEAM LENGTH			
Beam Length	48"	2	
		60" to 96"	3

• Optional color ...add \$.75 each.

Prices and specifications subject to change without notice. Not responsible for errors or omissions in printing.

WIDE SPAN END MERCHANDISER^B

Part #	List (All Sizes)	Wt.(lbs)
WSEM-(NH)(AW)	\$498.85	See Note Below

*Color Upcharge... \$5.00

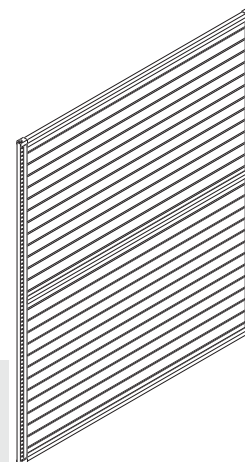
*Contact Sales Rep. or Customer Service for applicable weight.



WSEM-(NH)(AW)

WSEM.....Wide Span End Merchandiser
 NH.....Nominal Height (See Text)
 AW.....Actual Width (See Example)

The Wide Span End Merchandiser, constructed using 3" OC Slatwall Panels, offers display space at the end of two Wide Span runs. To determine the correct size panel, you should add the nominal depths of the two frames, plus four inches, plus the space between the two frames. An example is given below. The height of the Merchandiser is the same as the height of the Wide Span units.



Example:

Two Wide Spans with a nominal depth of 30" with a 6" space between the two and is 84" tall. $30+30+4+6=70$
 ORDER: WSEM-8470

WIDE SPAN ROLL GOODS DISPLAY

HYPERMAXI ROLL GOODS TUBE HOLDER^D

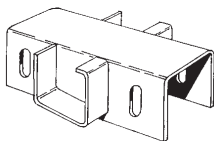
For mass display of roll goods, this tube holder accommodates all diameter roll goods tubes. Holder fits over and bolts to all center support arms.

HMRGTH

HMRGTH.....Hypermaxi Roll Goods Tube Holder

	Wt.
HMRGTH	\$14.70 1.7

*Optional color...add \$.75 each.



Rigid, super strong display for roll or spool goods. Depending on the depth of section, diameter and the weight of goods, several spools may be used on the same Wide Span Support Arm.

WIDE SPAN ROLL GOODS TUBE^D

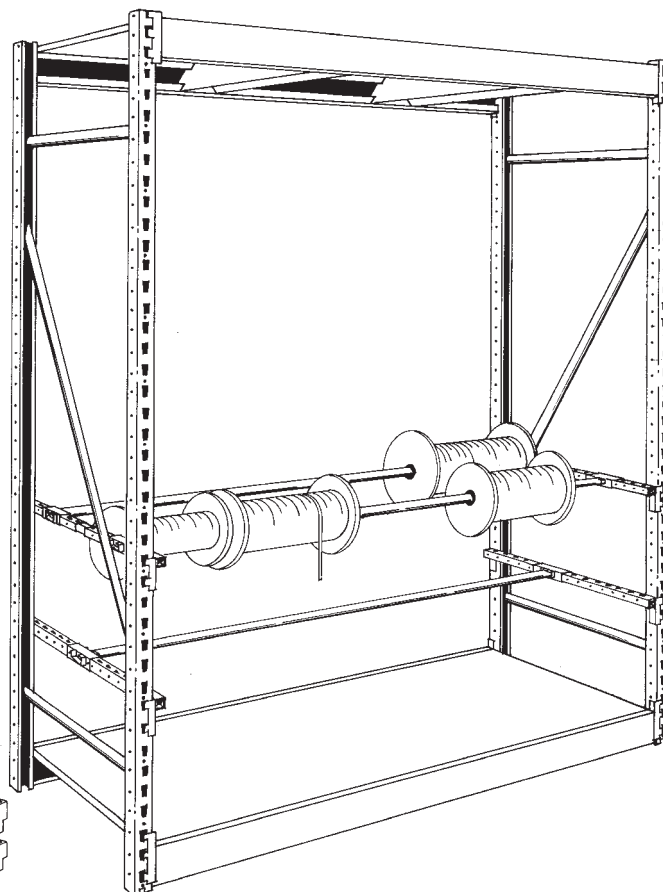
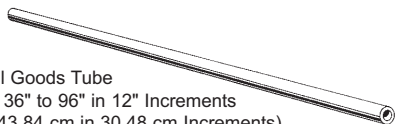
1" OD galvanized tubing for use with Wide Span Roll Goods Display. Longer tube lengths are not recommended for heavy spools, rolls of chain, or large rolls of flooring. Check spindle hole diameter on spools prior to ordering.

WSRGT-(NW)

WSRGT.....Wide Span Roll Goods Tube
 NW.....Nominal Width 36" to 96" in 12" Increments
(91.44 cm to 243.84 cm in 30.48 cm Increments)

Section Width		Wt.	Load Capacity
36"	WSRGT-36	\$10.45	4.4
48"	WSRGT-48	\$14.00	5.9
60"	WSRGT-60	\$17.55	7.4
72"	WSRGT-72	\$21.10	8.8
84"	WSRGT-84	\$24.65	10.3
96"	WSRGT-96	\$28.15	10.0

* Optional color...add \$1.50 each.

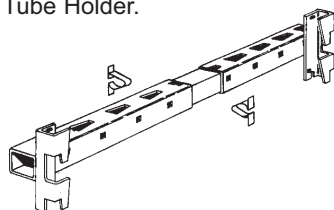


WIDE SPAN CENTER SUPPORT ARM^D

Telescoping feature as shown allows crossbar to slip easily into upright slots on both sides of frame. Included dart clips lock crossbar in place. Provides rigid base for Hypermaxi Roll Goods Tube Holder.

Frame Depth		Wt.
18"	WSCSA-18	\$33.35 4.9
24"	WSCSA-24	\$33.35 6.4
30"	WSCSA-30	\$35.25 7.9
36"	WSCSA-36	\$35.25 9.4
42"	WSCSA-42	\$36.25 10.9
48"	WSCSA-48	\$36.25 12.5

* Optional color...add \$1.50 each.



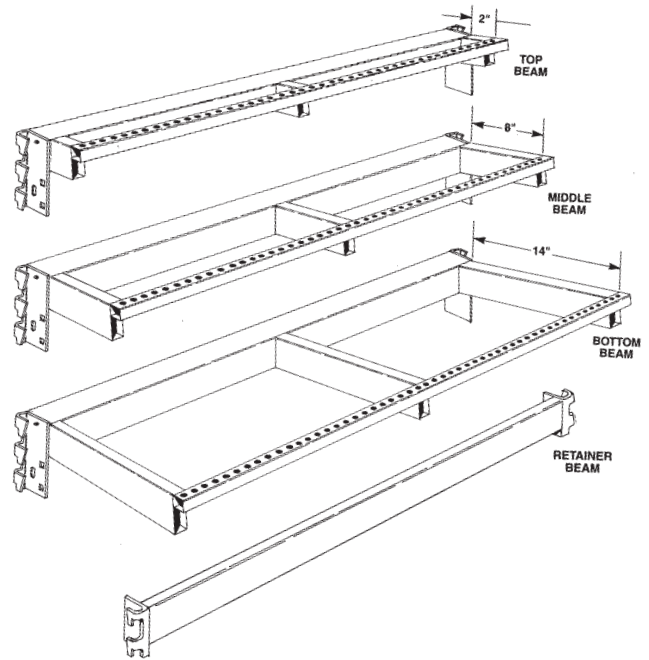
WSCSA-(ND)

WSCSA.....Wide Span Center Support Arm
 ND.....Nominal Depth 18" to 48" in 6" Increments
(45.72 cm to 121.92 cm in 15.24 cm Increments)

WIDE SPAN MOLDING RACK BEAMS^D

Add Molding Rack Beams and Divider Arms to standard Wide Span Frames to create an attractive molding rack. Mount front beam one slot higher than rear beam for a sloped deck, adding a front retainer beam keeps molding in place. Secure beams by bolting through frames in all situations.

		Beam Length			Wt.
BEAM KITS ...includes top, middle, bottom and retainer beams.		48"	WSMRK-48	\$191.50	78.2
		72"	WSMRK-72	\$256.10	102.0
		84"	WSMRK-84	\$269.95	113.7
		96"	WSMRK-96	\$280.20	125.6
INDIVIDUAL BEAMS	TOP BEAM 2" Standoff	48"	WSMRB-4802	\$55.05	22.0
		72"	WSMRB-7202	\$76.40	29.0
		84"	WSMRB8402	\$79.90	32.5
		96"	WSMRB-9602	\$83.40	36.0
	MIDDLE BEAM 8" Standoff	48"	WSMRB-4808	\$57.65	23.9
		72"	WSMRB-7208	\$79.45	31.0
		84"	WSMRB-8408	\$82.55	34.5
		96"	WSMRB-9608	\$85.75	38.0
	BOTTOM BEAM 14" Standoff	48"	WSMRB-4814	\$61.65	26.0
		72"	WSMRB-7214	\$83.10	33.0
		84"	WSMRB-8414	\$86.55	36.5
	RETAINER BEAM ...for molding rack only!	48"	LDWSFB48	\$14.05	6.7
72"		LDWSFB72	\$16.70	8.8	
84"		LDWSFB84	\$18.20	10.2	
96"		LDWSFB96	\$20.15	11.6	



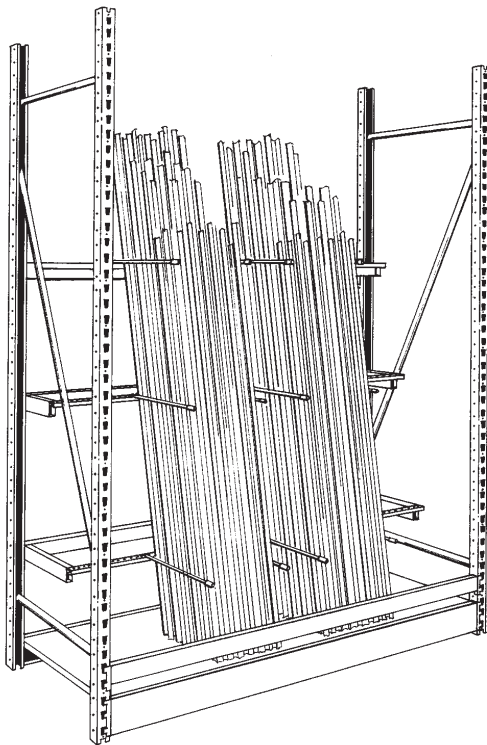
- Optional color...add \$1.50 per individual beam.
- Optional color...add \$6.00 per beam kit.

RDWSFB(NL)

RD.....LD=Light Duty RD=Regular Duty HD=Heavy-Duty
 WSFB.....Wide Span Front Beam
 NL.....Nominal Length 48" to 96" in 12" Increments
(121.92 cm to 243.84 cm in 30.48 cm Increments)

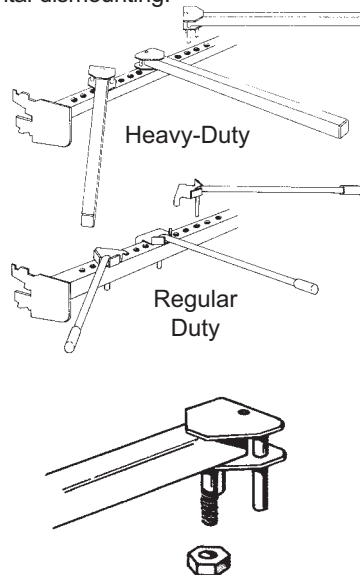
WSMRK-(NL)(ND)

WSMR.....Wide Span Molding Rack
 K.....K=Kits B=Individual Beams
 NL.....Nominal Length 48" to 96" in 12" Increments
(121.92 cm to 243.84 cm in 30.48 cm Increments)
 ND.....Nominal Depth 2" to 14" in 6" Increments
(5.08 cm to 35.56 cm in 15.24 cm Increments)



VERTICAL DIVIDER ARMS^A

Unique mounting attachment allows straight out or 45 degrees either direction mounting to Vertical Divider Bar. Arms may be mounted to front and/or rear of standoff bars. Regular duty divider arms are 3/8" dia. with red neoprene safety tip ...heavy-duty arms are 1" square tubing with vinyl safety cap. Threaded option locks arm, prevents accidental dismounting.



TVDA-14R

TVDA.....TVDA=Threaded Vertical Divider Arm
VDA=Vertical Divider Arm
 14.....Nominal Length 14" (35.56 cm)
 R.....R=Regular Duty H=Heavy-Duty

	Length		Wt.
REGULAR DUTY 3/8" dia.	6", 8" 10"	\$5.55	.6
	12", 14"	\$5.75	.7
	16"	\$6.00	.8
	18"	\$6.20	.9
HEAVY-DUTY 1" square	12", 14", 16"	\$17.15	1.7
	18", 20", 22"	\$17.15	1.9
	24", 26", 28"	\$17.15	2.1
	30"	\$18.40	2.2

- Optional color...add \$1.50 each
- For TVDA...(Add \$3.25 each arm)

WIDE SPAN ACCESSORIES

Standard Finishes are Blue Gray or Sahara

WIDE SPAN FRAME CONNECTORS^A

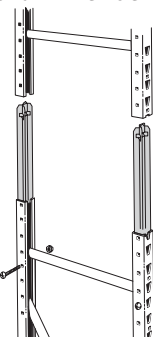
Heavy gauge channel with hardware for connecting any two frames listed to obtain overall heights from 168" to 240". Available in packages of two only. One package required for each frame.

WSFC-2

WSFC.....Wide Span Frame Connectors
2..... 2 Pack

	Pack	Wt.
WSFC-2	\$9.00	2 3.3

• Optional color ...add \$1.50 each.



WIDE SPAN BACK TO BACK CONNECTOR^A

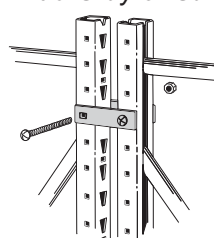
Heavy gauge steel straps maintain 2" spacing between frames to allow repositioning of rear Beams. Hardware included for securing straps to frames. Six connectors required for each height or combination of height frames.

WSBBC-2-24

WSBBC-2.....Wide Span Back to Back Connectors
24.....24 Pack

	Pack	Wt.
WSBBC-2-24	\$59.60	24 7.0

• Galvanized only.



WIDE SPAN FLOOR ANCHOR^A

Heavy gauge galvanized steel angle secures frame to floor. Maintains aisle alignment and prevents tipping. Hardware included to attach Wide Span Floor Anchor to Frame. Concrete anchoring studs not included due to varying field conditions.

WSFA-2

WSFC.....Wide Span Floor Anchor
2..... 2 Pack

	Pack	Wt.
WSFA-2	\$4.15	2 1.0

• Galvanized only.



WIDE SPAN LEVELING SHIM^A

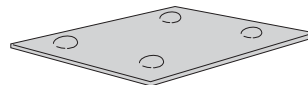
Galvanized 1/16" shim has dimples to prevent dislodging from bottom of Upright Frame. Use where floor protection is required or to level frames on uneven floors.

WSLS-10

WSLS.....Wide Span Floor Anchor
10..... 10 Pack

	Pack	Wt.
WSLS-10	\$8.60	10 1.0

• Galvanized only.



WIDE SPAN DISPLAY ACCESSORIES

Standard Finishes are Blue Gray or Sahara

RECESSED PEGBOARD PANELS^B

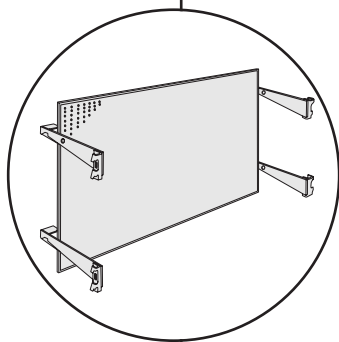
A framed pegboard panel for use with frame shown to merchandise blister pack and other peg items within Wide Span section. Increase impulse sales with cross merchandising. Use combinations of panels for heights not listed. *SATIN FINISH FRAME*

RPP-(NW)(NH)

RPP.....Recessed Pegboard Panels
NW.....Nominal Width 48" (4') or 96" (8')
.....(121.92 cm or 243.84 cm)
NH.....Nominal Height 6" to 18" in 6" Increments
.....(15.24 cm to 45.72 cm in 15.24 cm Increments)

Section Width	Panel Height			Wt.
48" x	6"	RPP-406	\$42.35	2.8
	12"	RPP-412	\$45.85	5.6
	18"	RPP-418	\$49.35	8.5
96" x	6"	RPP-806	\$45.40	5.6
	12"	RPP-812	\$53.30	11.2
	18"	RPP-818	\$59.90	16.8

• Optional color ...add \$6.25 each.



RECESSED PEGBOARD PANEL FRAME^B

Frame assembly for use with Recessed Pegboard Panel. Includes two brackets, reinforcing angle and necessary hardware. Two frames required per Panel. Recess depth shown is from front of Wide Span Upright.

Section Width	Recess Depth			Wt.
48" x	6"	RF-406	\$35.65	4.5
	12"	RF-412	\$35.65	5.5
	18"	RF-418	\$35.65	6.5
96" x	6"	RF-806	\$35.65	7.3
	12"	RF-812	\$35.65	8.3
	18"	RF-818	\$35.65	9.3

• Optional color. ...add \$6.25 each.

RF-(NW)(NH)

RF.....Recessed Pegboard Panel Frame
NW.....Nominal Width 48" (4') or 96" (8')
.....(121.92 cm or 243.84 cm)
NH.....Nominal Height 6" to 18" in 6" Increments
.....(15.24 cm to 45.72 cm in 15.24 cm Increments)

PRODUCT RETAINER^B

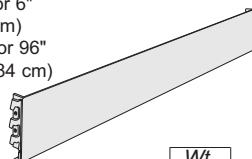
The Wide Span Product Retainer has hooks to fit Wide Span Uprights, formed lower edge fits into beam step for security. Two heights available, may be used with or without dividers.

WSPR-(NH)(NL)

WSPR.....Wide Span Product Retainer
NH.....Nominal Height 3" or 6"
.....(7.62 cm or 15.24 cm)
NL.....Nominal Length 48" or 96"
.....(121.92 cm or 243.84 cm)

Height	Length			Wt.
3" x	48"	WSPR348	\$23.10	6.3
	96"	WSPR396	\$29.00	12.0
6" x	48"	WSPR648	\$25.85	9.0
	96"	WSPR696	\$34.45	17.3

• Optional color ...add \$.75 each.

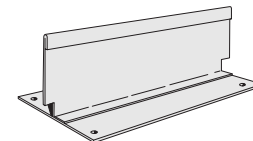


DIVIDER^B

Formed metal divider freestands on particle board deck to allow unlimited binning. Prepunched to allow fastening to the deck for heavier items. Two heights are available, plus depths to match all Wide Span depths. May be used in conjunction with Wide Span Product Retainer.

Height	Length			Wt.
3" x	18"	WSPD-318	\$19.50	3.8
	24"	WSPD-324	\$20.80	5.0
	30"	WSPD-330	\$22.00	6.2
	36"	WSPD-336	\$23.15	7.4
	42"	WSPD-342	\$24.30	8.6
	48"	WSPD-348	\$25.35	9.8
6" x	18"	WSPD-618	\$20.60	4.9
	24"	WSPD-624	\$22.65	6.4
	30"	WSPD-630	\$23.70	7.9
	36"	WSPD-636	\$25.30	9.4
	42"	WSPD-642	\$26.75	11.0
	48"	WSPD-648	\$28.15	12.5

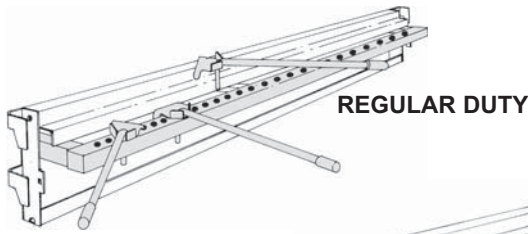
• Optional color ...add \$.75 each.



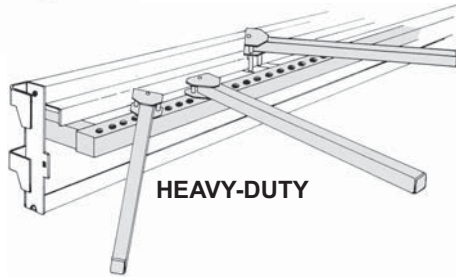
WSPD-(NH)(NL)

WSPR.....Wide Span Product Divider
NH.....Nominal Height 3" or 6"
.....(7.62 cm or 15.24 cm)
NL.....Nominal Length 18" to 48"
.....in 6" Increments
.....(45.72 cm to 121.92 cm
.....in 15.24 cm Increments)

WIDE SPAN DISPLAY ACCESSORIES



REGULAR DUTY



HEAVY-DUTY

VERTICAL DIVIDER ARMS^B

Unique mounting attachment allows straight out or 45 degree either direction mounting to Crossbar.

Regular Duty Divider Arms are 3/8" dia. with red neoprene safety tip. Heavy-Duty Divider Arms are 1" square tubing with vinyl safety cap.

VDA-(NL)R

VDA.....Vertical Divider Arms
 NL.....Nominal Frame Length (See Chart)
 R.....R=Regular Duty H=Heavy-Duty

Length		Wt.		
Regular Duty	10"	VDA-10R	\$5.55	0.6
	14"	VDA-14R	\$5.75	1.0
	16"	VDA-16R	\$6.00	0.8
	18"	VDA-18R	\$6.20	0.9
Heavy-Duty	20"	VDA-20H	\$17.15	1.8
	22"	VDA-22H	\$17.15	1.9
	24"	VDA-24H	\$17.15	2.0
	28"	VDA-28H	\$17.15	2.1
	30"	VDA-30H	\$18.40	2.2

• Add \$1.50 each for optional color

VERTICAL DIVIDER BEAM^B

Use Vertical Divider Beam in conjunction with Regular or Heavy-Duty Vertical Divider Arms or other VDB accessories. Unit includes Modified Wide Span Beam, punched tubing, and required hardware for full assembly. Madix recommends bolting Beam to the Wide Span Frame in heavy loading situations. Standoff from Beam face is approximately 3".

Length			Wt.
48"	WSVDB48	\$42.50	14.1
96"	WSVDB96	\$65.55	27.3

• Optional color...add \$3.00 each.

WSVDB(NL)

WSVDB.....Wide Span Vertical Divider Beam
 NL.....Nominal Length 48" or 96" (121.92 cm or 243.84)

Standard Finishes are Blue Gray or Sahara

WIDE SPAN GARDEN TOOL DISPLAY^B

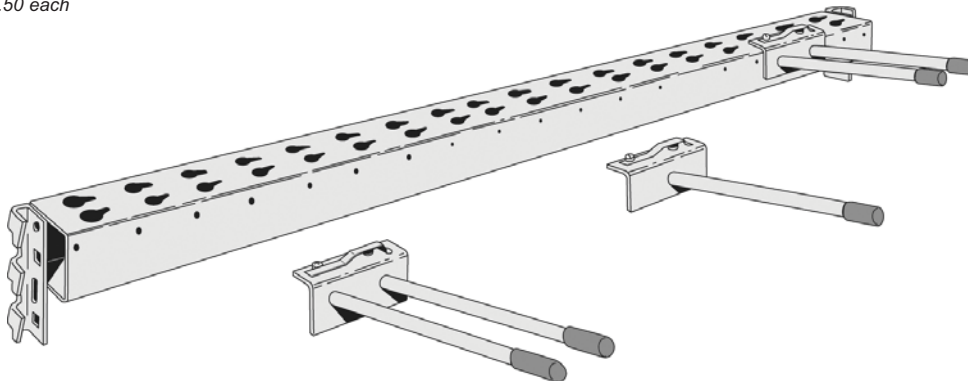
Merchandise rakes, shovels, etc. easily on Wide Span using this special beam and hook. Beam is available in two lengths for use on standard 48" and 96" Wide Span sections. Each section must contain at least two beam pairs for rigidity. Beams should be bolted to frames under extreme load situations. Hook is 24" deep for use on 36" deep Wide Span sections.

Beam Length			Wt.
48"	WSGTDB-48	\$60.20	10.0
96"	WSGTDB-96	\$73.35	9.2

• Optional color . . . add \$1.50 each

WSGTDB-(NL)

WSGTDB.....Wide Span Garden Tool Display
 NL.....Nominal Length 48" or 96" (121.92 cm or 243.84)



GARDEN TOOL HOOK

Type	Part #	List	Wt.(lbs)
SINGLE	WSSH-24	\$17.65	7.0
DOUBLE	WSGTDH-24	\$27.95	7.0

• Optional color . . . add \$.75 each

WSSH-24

WSSH-24.....Single Hook
 WSGTDH-24....Double Hook